

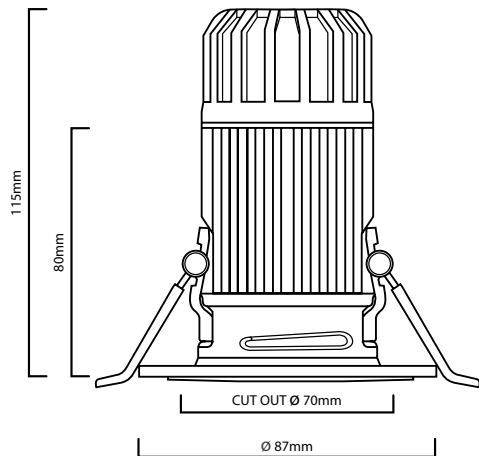
LED Downlight 10W AC

Installation Instructions

 **Please read these instructions carefully before installation**
Leave a copy for the user/maintenance engineer for future reference

Important Safety Information

- It is recommended that this fitting is installed, inspected and maintained by a qualified Electrician.
- Installation should be carried out in accordance with the latest edition of the IEE Wiring Regulations (BS 7671) and the latest Building Regulations. If in doubt, consult a qualified electrician.
- These products are designed for connection to a 220-240V~50/60Hz supply.
- Before commencing any installation or maintenance work, ensure electricity is switched off at the mains and the circuit fuses are removed or switched off.
- Important: Ensure that ALL electrical connections are tight with no loose strands including factory made connections.
- This luminaire is suitable for indoor use only.
- This product is dimmable. For full dimmer compatibility please refer to the website. Min/max wattage loads must also be observed.
- The IC Cover must be used if the luminaire is to be installed where loft insulation is present. Only suitable for covering with blanket type insulation material.
- This is a class II luminaire, double insulated, no earth required.
- The LED lamps fitted in this product are non-replaceable, the whole luminaire must be replaced when the LED reaches the end of its life.



Accessories

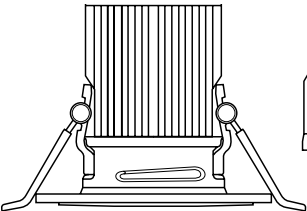
Part No.	Description
LXFRD10/ICC	LUXNA 10W LED Downlight - IC Cover
LXFRD10/SCS	LUXNA 10W LED Downlight - Spring Clip (set x2)
LXFRD10/MWB	LUXNA 10W LED Downlight - Matt White Bezel
LXFRD10/PCB	LUXNA 10W LED Downlight - Polished Chrome Bezel
LXFRD10/BCB	LUXNA 10W LED Downlight - Brushed Chrome Bezel
LXFRD10/BRB	LUXNA 10W LED Downlight - Brass Bezel

Technical Specifications

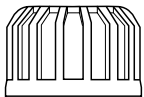
Part No.	Power (W)	Measurement Cut Out (mm)	Measurement Outer Bezel (mm)	Depth (mm) Inc. IC Cover	Depth (mm) Ex. IC Cover	Input Voltage	Lumen Output	Power Factor	CRI	Colour Temperature
LXFRD10WW	10	70	87	115	80	220-240V 50/60Hz	720	> 0.90	> 0.80	3000K WW
LXFRD10NW	10	70	87	115	80	220-240V 50/60Hz	750	> 0.90	> 0.80	4000K NW
LXFRD10CW	10	70	87	115	80	220-240V 50/60Hz	800	> 0.90	> 0.80	6000K CW

Pack contents

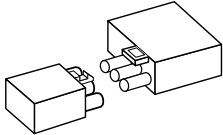
1



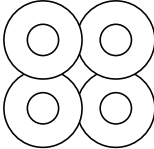
2



3

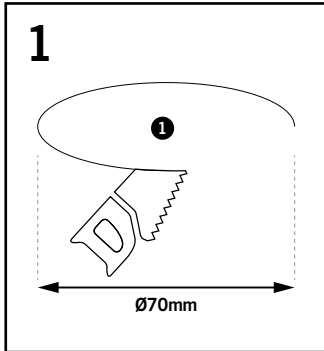


4

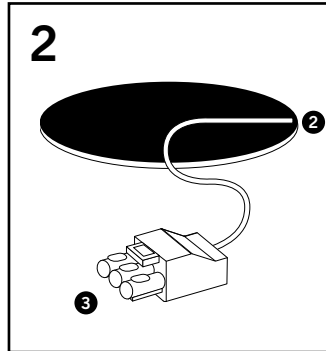


- 1 Luxna LED Downlight 10W AC including spring clips.
- 2 Optional: IC cover. Clip On/Off, as required.
- 3 Plug and play Loop in / Loop out connector
- 4 Optional: 4 colour bezels. Polished chrome, brass, white and brushed chrome.

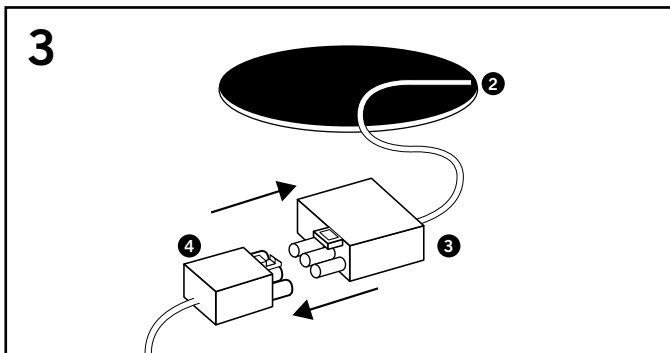
Important Installation Information



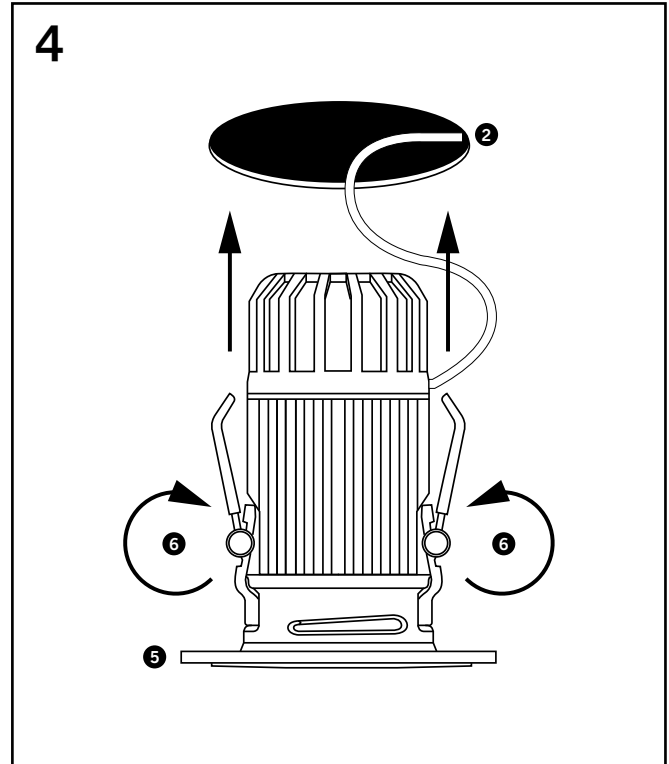
1 - Ceiling surface



2 - Mains supply 3 - Plug Connector



2 - Mains supply 3 - Plug Connector 4 - Socket Connector



2 - Mains supply 5 - AC Downlight 6 - Spring clips

- Always switch off the mains power supply before installation or servicing.
- This luminaire should be mounted on a flat, smooth surface. Ensure that the mounting area is clean and free from any obstructions. The installation must not infringe on gas/water pipes or any other electrical cables or services which may be hidden behind the ceiling.
- The LUXNA LED Downlight 10W AC is suitable for installation within a Fire Rated plasterboard ceiling.
- This product is rated at IP65 and is suitable for installation in bathroom zones 1 and 2 as defined by the IEE Wiring Regulations.

- 1). Decide the mounting position on the ceiling surface and cut out a circular hole 70mm in diameter. Do not exceed the cutting diameter and ensure that cut outs are spaced adequately to provide clearance from any joists, beams or cables within the ceiling void.
- 2). Pull the mains supply cable through the hole and wire into the terminals of the plug connector. Ensure that the correct polarity is observed and the plug connector cover is fixed to secure the cable.
- 3). Push the plug connector into the socket connector which is pre-wired directly to the luminaire until the catches latch together. Feed the mains supply cable and connectors back through the hole and into the ceiling void.
- 4). With the spring clips held in the upward position insert the luminaire through the cut out hole and into the ceiling void, take care not to trap any cables. The spring clips will locate onto the top of the

ceiling surface to provide a secure installation. Ensure that the luminaire is fitted centrally to the cut out hole so that the fire-resistant seal between the product and the ceiling is maintained.

- When the LUXNA LED Downlight 10W AC is connected and installed, turn on the mains power supply and check for correct operation.
- Minimum clearance distances around the luminaire must be observed: 25mm above the top of the luminaire, 40mm to all sides of the luminaire and 0.5m minimum distance between luminaires.
- The IC Cover is optional depending on mounting location. The top of the luminaire can be covered with insulation material when the IC Cover is used. All other minimum clearance distances around the luminaire must be observed.
- The optional colour bezels can be changed if required. Rotate the fixed bezel and pull it away from the luminaire. Remove the outer seal from the back of the bezel and place it into the same position on the back of the new bezel. Rotate the new bezel back onto the front of the luminaire. Do not remove or displace the inner seal which is attached to the lens cover. Ensure that ALL rubber seals are correctly positioned to maintain the IP65 rating of the luminaire.
- Loop In / Loop Out Connector 20A, 250V
Terminals max. 3x2.5mm² cables
- When removing the luminaire for maintenance or changing the bezel, allow sufficient time for the product to cool before handling.

Guarantee

This product is guaranteed in the EU for a period of 5 years from the date of purchase. The guarantee is invalid in the case of improper use, installation, tampering, removal of the QC/batch code label, installation in an improper working environment or installation not according to the current edition of the IEE Wiring Regulations (BS 7671). Should this product fail during the guarantee period it will be replaced free of charge, subject to correct installation and return of the faulty unit. Luxna Lighting does not accept responsibility for any installation costs associated with the replacement of this product. Your statutory rights are not affected. Luxna Lighting reserves the right to alter product specifications without prior notice.